

EPCOS Product Brief 2016

Power Factor Correction

PhaseCap Energy Series B25674, B25675

The PhaseCap Energy series of power capacitors for power factor correction (PFC), represents a new generation of the PhaseCap series and offers a whole bunch of enhancements and advantages for PFC applications.

The series are available in the versions:

- B25674 - gas impregnated
- B25675 - with filling of biodegradable soft resin

The product range covers voltages from 230 to 690 V AC and outputs from 5 to 33 kvar.

Major enhancements of the new series from EPCOS are:

- Long useful life expectation compared to other series up to 200 000 hours
- Increased inrush current capability by 25 percent and up to $500 \cdot I_R$
- High long term stability, which is up to 150 percent better than other series

Keep key legacy of PhaseCap series:





- MKK technology
- 3-phase overpressure disconnecter
- Discharge module
- Wave cut & heavy edge

PQS



PhaseCap Energy Series



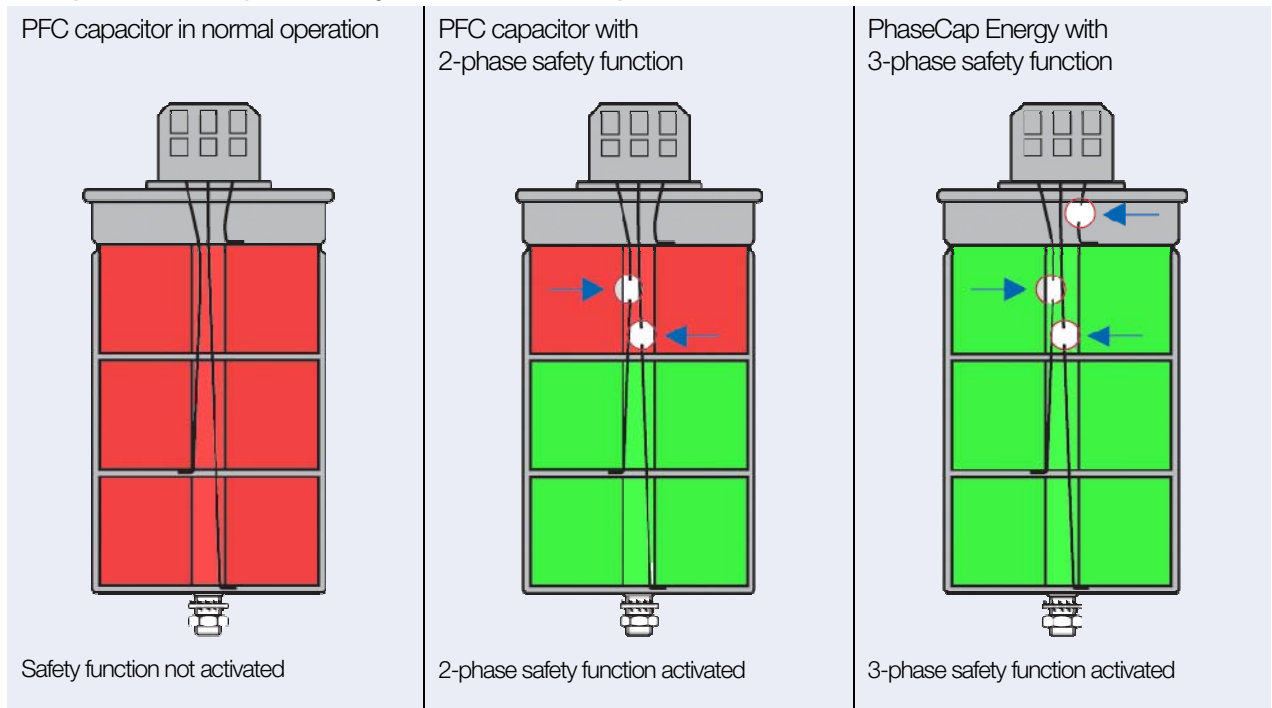
Features and benefits	
Construction	
Winding	Stacked
Technology	MKK, polypropylene film
Wave cut	Special film cutting method to ensure lower contact losses and higher inrush current capability than straight cut types.
Design	Smaller dimensions compared to other series allow higher packing density in the application.
Housing/mounting	Cylindrical aluminum can with stud for fast and easy installation. Mounting position upright or horizontal.
Cooling	Naturally air cooled or forced air colling.
Electrical	
Life expectancy	<i>Gas filled:</i> up to 180 000 h at temperature class -40/D and up to 160 000 h at temperature class -40/60. <i>Resin filled:</i> up to 200 000 h at temperature class -40/D and up to 180 000 h at temperature class -40/60. This reduces cost for maintenance and replacement.
Inrush current withstandability	Up to $500 \cdot I_r$ ensures best performance of the device. The higher the capability, the less stress is put on the capacitor by harmful high inrush and over current.
Number of switching operations	Max. 15 000 p.a.
Voltage	230 ... 690 V AC
Output	5 ... 33 kvar
Frequency	50/60 Hz
Safety	
Self-healing	In case of a punctual overload an automatic reparation of the affected area is performed. During this process the capacitor remains fully functionally. Capacitance losses are in negligible range.
Overpressure disconnecter	All three phases will be disconnected in case of overpressure inside the capacitor or at the end of the useful life.
Impregnation	Two types of impregnation agents: B25674A* - dry type gas filled B25675A* - semi-dry biodegradable soft resin; non PCB
Terminals	Optimized safety terminal, touch proof IP20. Provided with ceramic discharge module or discharge module block. Terminal types for cross section 16 mm ² or 25 mm ² and max. torque 1.2 or 2 Nm.
Approvals	
	IEC 60831-1/2 Edition 3.0 (2014) – Certificate available
	UL 810-5th edition – Certificate in process
	IS 13340-1/2 (1993, 2012)
	IEC 60831-1/2 Edition 3.0 (2014) – Certificate in process
Product range	
Ordering codes/types	B25674* – gas filled B25675* – resin filled

PhaseCap Energy Series

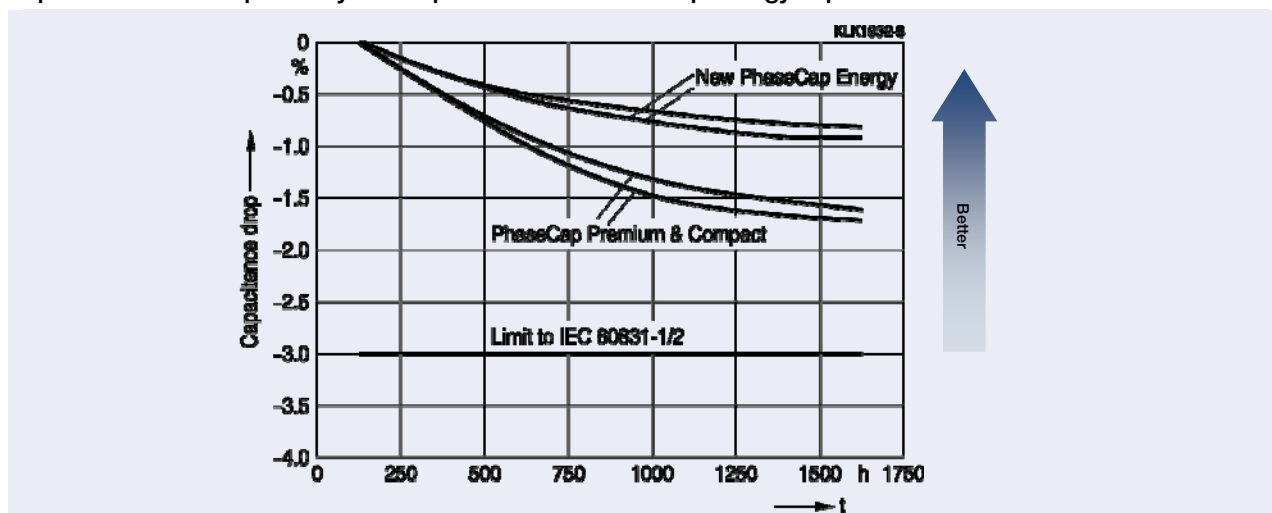
Overpressure disconnecter

The overpressure disconnecter will be activated in case of overpressure in the can or at end of useful service life. The wires of all three phases will be separated and the capacitor is completely disconnected from the line.

Principle of 2- and 3-phase safety functions of PFC capacitors

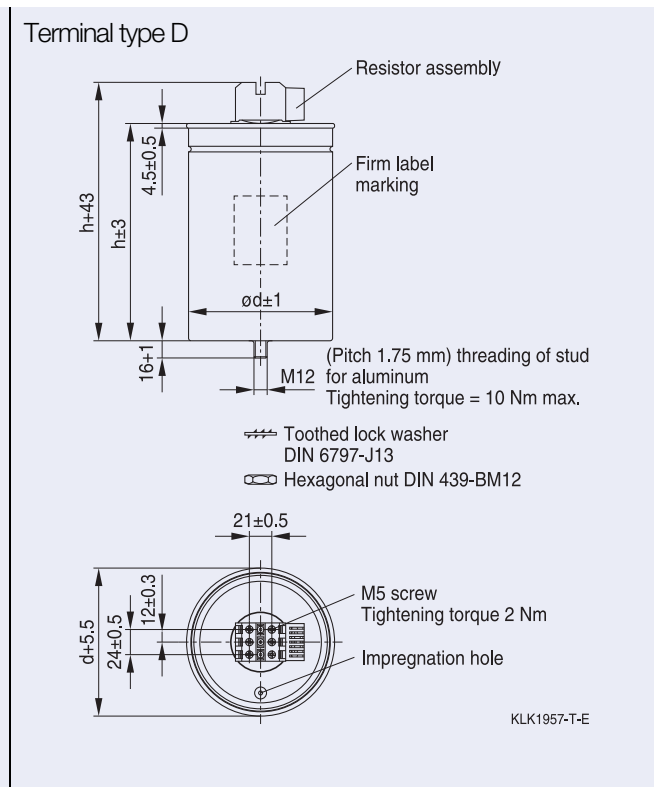
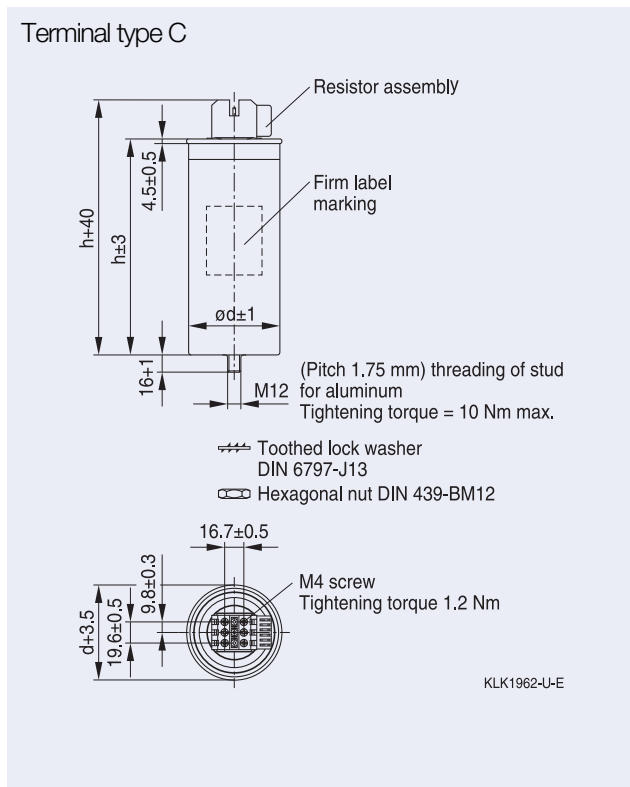
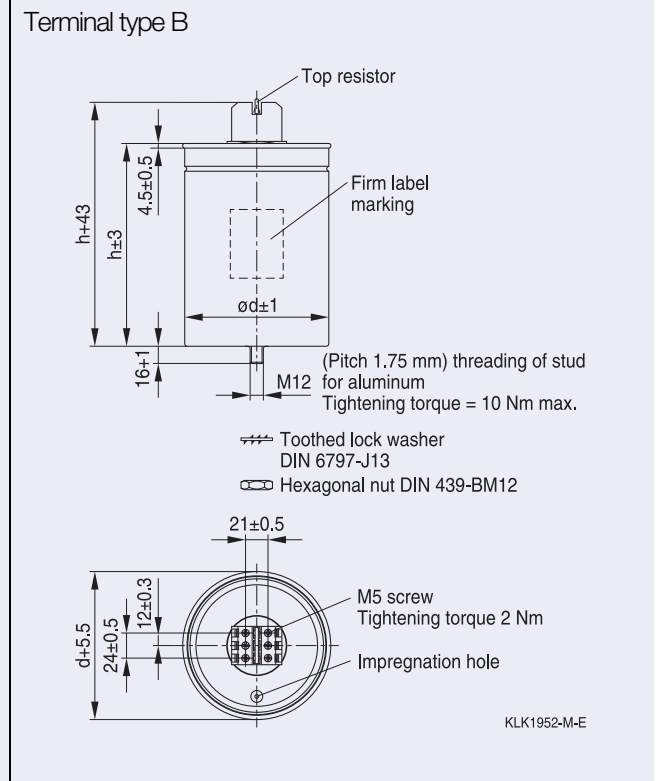
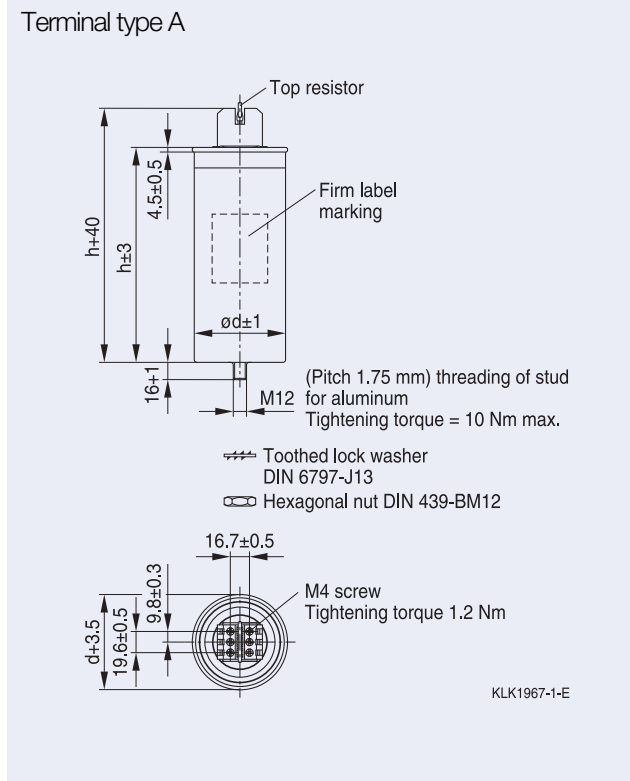


Improved life time expectancy and capacitance for PhaseCap Energy capacitors



PhaseCap Energy Series

Dimension drawings



PhaseCap Energy Series



Ordering codes – Gas filled series

Ordering code	Type	Rated capacitance C_R μF	Output & rated current at 50 Hz		Output & rated current at 60 Hz		Dimensions d x h mm	Weight (approx.) kg	Terminal
			kvar	A	kvar	A			
Rated voltage 230 V AC, delta connection									
B25674A2052J030	MKK230-D-5.0-03	3x 100.3	5.0	12.6	6.0	15.1	75 x 218	0.9	A
B25674A2072J530	MKK230-D-7.5-03	3x 150.4	7.5	18.8	9.0	22.6	100 x 192	1.4	B
B25674A2102J030	MKK230-D-10.0-03	3x 200.5	10.0	25.1	12.0	30.1	100 x 224	1.7	B
B25674A2122J530	MKK230-D-12.5-03	3x 250.7	12.5	31.4	15.0	37.7	116 x 207	2.1	B
B25674A2152J030	MKK230-D-15.0-03	3x 300.8	15.0	37.7	-	-	125 x 207	2.4	B
Rated voltage 400 V AC, delta connection									
B25674A4052J000	MKK400-D-5.0-03	3x 33.2	5.0	7.2	6.0	8.7	75 x 164	0.7	A
B25674A4062J300	MKK400-D-6.3-03	3x 41.8	6.3	9.1	7.6	11.0	75 x 164	0.7	A
B25674A4072J500	MKK400-D-7.5-03	3x 49.7	7.5	10.8	9.0	13.0	75 x 200	0.8	A
B25674A4082J300	MKK400-D-8.3-03	3x 55.0	8.3	12.0	10.0	14.4	75 x 200	0.8	A
B25674A4102J400	MKK400-D-10.4-03	3x 69.0	10.4	15.0	12.5	18.0	75 x 218	0.9	A
B25674A4122J500	MKK400-D-12.5-03	3x 82.9	12.5	18.0	15.0	21.7	85 x 200	1.1	A
B25674A4152J000	MKK400-D-15.0-03	3x 99.5	15.0	21.7	18.0	26.0	85 x 218	1.2	A
B25674A4162J700	MKK400-D-16.7-03	3x 110.7	16.7	24.1	20.0	28.9	100 x 207	1.6	B
B25674A4202J000	MKK400-D-20.0-03	3x 132.6	20.0	28.9	24.0	34.6	100 x 224	1.7	B
B25674A4252J000	MKK400-D-25.0-03	3x 165.8	25.0	36.1	30.0	43.3	116 x 192	1.9	B
B25674A4282J100	MKK400-D-28.1-03	3x 186.3	28.1	40.6	-	-	125 x 192	2.3	B
B25674A4302J000	MKK400-D-30.0-03	3x 198.9	30.0	43.3	-	-	116 x 224	2.3	B
B25674A4332J000	MKK400-D-33.0-03	3x 218.8	33.0	47.6	-	-	125 x 207	2.4	B
Rated voltage 415 V AC, delta connection									
B25674A4052J015	MKK415-D-5.0-03	3x 30.8	5.0	7.0	6.0	8.3	75 x 164	0.7	A
B25674A4062J315	MKK415-D-6.3-03	3x 38.8	6.3	8.8	7.6	10.6	75 x 164	0.7	A
B25674A4072J515	MKK415-D-7.5-03	3x 46.2	7.5	10.4	9.0	12.5	75 x 200	0.8	A
B25674A4082J315	MKK415-D-8.3-03	3x 51.1	8.3	11.5	10.0	13.9	75 x 200	0.8	A
B25674A4102J415	MKK415-D-10.4-03	3x 64.1	10.4	14.5	12.5	17.4	75 x 200	0.8	A
B25674A4122J515	MKK415-D-12.5-03	3x 77.0	12.5	17.4	15.0	20.9	85 x 200	1.1	A
B25674A4152J015	MKK415-D-15.0-03	3x 92.4	15.0	20.9	18.0	25.0	85 x 200	1.1	A
B25674A4162J715	MKK415-D-16.7-03	3x 102.9	16.7	23.2	20.0	27.8	100 x 207	1.6	B
B25674A4202J015	MKK415-D-20.0-03	3x 123.2	20.0	27.8	24.0	33.4	100 x 207	1.6	B
B25674A4252J015	MKK415-D-25.0-03	3x 154.0	25.0	34.8	30.0	41.7	116 x 192	1.9	B
B25674A4282J115	MKK415-D-28.1-03	3x 173.1	28.1	39.1	-	-	116 x 207	2.1	B
B25674A4302J015	MKK415-D-30.0-03	3x 184.8	30.0	41.7	-	-	116 x 207	2.1	B
B25674A4332J015	MKK415-D-33.0-03	3x 203.3	33.0	45.9	-	-	116 x 224	2.3	B
Rated voltage 440 V AC, delta connection									
B25674A4052J040	MKK440-D-5.0-03	3x 27.4	5.0	6.6	6.0	7.9	75 x 164	0.7	A
B25674A4062J040	MKK440-D-6.0-03	3x 32.9	6.0	7.9	7.2	9.4	75 x 164	0.7	A
B25674A4062J340	MKK440-D-6.3-03	3x 34.5	6.3	8.3	7.6	10.0	75 x 164	0.7	A
B25674A4072J040	MKK440-D-7.0-03	3x 38.4	7.0	9.2	8.4	11.0	75 x 200	0.8	A
B25674A4072J540	MKK440-D-7.5-03	3x 41.1	7.5	9.8	9.0	11.8	75 x 200	0.8	A
B25674A4082J040	MKK440-D-8.0-03	3x 43.8	8.0	10.5	9.6	12.6	75 x 200	0.8	A
B25674A4082J340	MKK440-D-8.3-03	3x 45.5	8.3	10.9	10.0	13.1	75 x 200	0.8	A
B25674A4092J040	MKK440-D-9.0-03	3x 49.3	9.0	11.8	10.8	14.2	75 x 200	0.8	A
B25674A4102J040	MKK440-D-10.0-03	3x 54.8	10.0	13.1	12.0	15.7	75 x 200	0.8	A
B25674A4102J440	MKK440-D-10.4-03	3x 57.0	10.4	13.6	12.5	16.4	85 x 200	1.1	A
B25674A4122J040	MKK440-D-12.0-03	3x 65.8	12.0	15.7	14.4	18.9	85 x 200	1.1	A
B25674A4122J540	MKK440-D-12.5-03	3x 68.5	12.5	16.4	15.0	19.7	85 x 200	1.1	A
B25674A4142J240	MKK440-D-14.2-03	3x 77.8	14.2	18.6	17.0	22.3	85 x 200	1.1	A
B25674A4152J040	MKK440-D-15.0-03	3x 82.2	15.0	19.7	18.0	23.6	85 x 218	1.2	A

PhaseCap Energy Series



Ordering codes – Gas filled series - continue

Ordering code	Type	Rated capacitance C_R μF	Output & rated current at 50 Hz		Output & rated current at 60 Hz		Dimensions d x h mm	Weight (approx.) kg	Terminal
			kvar	A	kvar	A			
Rated voltage 440 V AC, delta connection - continue									
B25674A4182J840	MKK440-D-18.8-03	3x 103.0	18.8	24.7	22.6	29.7	100 x 207	1.6	B
B25674A4202J040	MKK440-D-20.0-03	3x 109.6	20.0	26.2	24.0	31.5	100 x 207	1.6	B
B25674A4162J740	MKK440-D-16.7-03	3x 91.5	16.7	21.9	20.0	26.2	100 x 207	1.6	B
B25674A4252J040	MKK440-D-25.0-03	3x 137.0	25.0	32.8	30.0	39.4	116 x 192	1.9	B
B25674A4282J140	MKK440-D-28.1-03	3x 154.0	28.1	36.9	-	-	116 x 207	2.1	B
B25674A4302J040	MKK440-D-30.0-03	3x 164.4	30.0	39.4	-	-	125 x 192	2.3	B
B25674A4332J140	MKK440-D-33.1-03	3x 181.4	33.1	43.4	-	-	116 x 224	2.3	B
Rated voltage 480 V AC, delta connection									
B25674A4052J080	MKK480-D-5.0-03	3x 23.0	5.0	6.0	6.0	7.2	75 x 164	0.7	A
B25674A4062J380	MKK480-D-6.3-03	3x 29.0	6.3	7.6	7.6	9.1	75 x 164	0.7	A
B25674A4072J580	MKK480-D-7.5-03	3x 34.5	7.5	9.0	9.0	10.8	75 x 200	0.8	A
B25674A4082J380	MKK480-D-8.3-03	3x 38.2	8.3	10.0	10.0	12.0	75 x 200	0.8	A
B25674A4102J480	MKK480-D-10.4-03	3x 47.9	10.4	12.5	12.5	15.0	75 x 200	0.8	A
B25674A4112J080	MKK480-D-11.0-03	3x 50.7	11.0	13.2	13.2	15.9	85 x 200	1.1	A
B25674A4122J580	MKK480-D-12.5-03	3x 57.6	12.5	15.0	15.0	18.0	85 x 200	1.1	A
B25674A4132J880	MKK480-D-13.8-03	3x 63.5	13.8	16.6	16.6	20.0	85 x 200	1.1	A
B25674A4152J080	MKK480-D-15.0-03	3x 69.1	15.0	18.0	18.0	21.7	100 x 207	1.6	B
B25674A4162J780	MKK480-D-16.7-03	3x 76.9	16.7	20.1	20.0	24.1	100 x 207	1.6	B
B25674A4202J080	MKK480-D-20.0-03	3x 92.1	20.0	24.1	24.0	28.9	100 x 207	1.6	B
B25674A4202J880	MKK480-D-20.8-03	3x 95.8	20.8	25.0	25.0	30.1	116 x 207	2.1	B
B25674A4222J080	MKK480-D-22.0-03	3x 101.3	22.0	26.5	26.4	31.8	116 x 207	2.1	B
B25674A4252J080	MKK480-D-25.0-03	3x 115.1	25.0	30.1	30.0	36.1	116 x 192	1.9	B
B25674A4282J180	MKK480-D-28.1-03	3x 129.4	28.1	33.8	-	-	116 x 207	2.1	B
B25674A4302J080	MKK480-D-30.0-03	3x 138.1	30.0	36.1	-	-	125 x 192	2.3	B
B25674A4312J080	MKK480-D-31.0-03	3x 142.7	31.0	37.3	-	-	125 x 192	2.3	B
B25674A4332J080	MKK480-D-33.0-03	3x 152.0	33.0	39.7	-	-	116 x 224	2.3	B
Rated voltage 525 V AC, delta connection									
B25674A5052J025	MKK525-D-5.0-03	3x 19.2	5.0	5.5	6.0	6.6	75 x 164	0.7	A
B25674A5062J325	MKK525-D-6.3-03	3x 24.2	6.3	6.9	7.6	8.4	75 x 164	0.7	A
B25674A5072J525	MKK525-D-7.5-03	3x 28.9	7.5	8.2	9.0	9.9	75 x 185	0.8	A
B25674A5082J325	MKK525-D-8.3-03	3x 31.9	8.3	9.1	10.0	11.0	75 x 200	0.8	A
B25674A5102J425	MKK525-D-10.4-03	3x 40.0	10.4	11.4	12.5	13.7	85 x 185	1.0	A
B25674A5122J525	MKK525-D-12.5-03	3x 48.1	12.5	13.7	15.0	16.5	85 x 200	1.1	A
B25674A5132J225	MKK525-D-13.2-03	3x 50.8	13.2	14.5	15.8	17.4	85 x 200	1.1	A
B25674A5152J025	MKK525-D-15.0-03	3x 57.7	15.0	16.5	18.0	19.8	85 x 218	1.2	A
B25674A5162J725	MKK525-D-16.7-03	3x 64.3	16.7	18.4	20.0	22.0	100 x 207	1.6	B
B25674A5202J025	MKK525-D-20.0-03	3x 77.0	20.0	22.0	24.0	26.4	100 x 224	1.7	B
B25674A5202J825	MKK525-D-20.8-03	3x 80.1	20.8	22.9	25.0	27.5	100 x 224	1.7	B
B25674A5252J025	MKK525-D-25.0-03	3x 96.2	25.0	27.5	30.0	33.0	116 x 207	2.1	B
B25674A5262J525	MKK525-D-26.5-03	3x 102.0	26.5	29.1	31.8	35.0	116 x 207	2.1	B
B25674A5282J125	MKK525-D-28.1-03	3x 108.2	28.1	30.9	-	-	125 x 192	2.3	B
B25674A5302J025	MKK525-D-30.0-03	3x 115.5	30.0	33.0	-	-	125 x 207	2.4	B
B25674A5332J125	MKK525-D-33.1-03	3x 127.4	33.1	36.4	-	-	136 x 192	2.7	B

PhaseCap Energy Series



Ordering codes – Gas filled series - continue

Ordering code	Type	Rated capacitance C_R μF	Output & rated current at 50 Hz		Output & rated current at 60 Hz		Dimensions d x h mm	Weight (approx.) kg	Terminal
			kvar	A	kvar	A			
Rated voltage 600 V AC, delta connection									
B25674A6052J300	MKK600-D-5.3-03	3x 15.6	5.3	5.1	6.4	6.2	75 x 185	0.8	C
B25674A6062J200	MKK600-D-6.2-03	3x 18.3	6.2	6.0	7.4	7.1	75 x 185	0.8	C
B25674A6062J900	MKK600-D-6.9-03	3x 20.3	6.9	6.6	8.3	8.0	75 x 200	0.8	C
B25674A6082J300	MKK600-D-8.3-03	3x 24.5	8.3	8.0	10.0	9.6	75 x 218	0.9	C
B25674A6102J400	MKK600-D-10.4-03	3x 30.6	10.4	10.0	12.5	12.0	85 x 200	1.1	C
B25674A6122J500	MKK600-D-12.5-03	3x 36.8	12.5	12.0	15.0	14.4	100 x 192	1.4	D
B25674A6132J900	MKK600-D-13.9-03	3x 41.0	13.9	13.4	16.7	16.1	100 x 207	1.6	D
B25674A6142J600	MKK600-D-14.6-03	3x 43.0	14.6	14.0	17.5	16.8	100 x 207	1.6	D
B25674A6162J700	MKK600-D-16.7-03	3x 49.2	16.7	16.1	20.0	19.2	100 x 224	1.7	D
B25674A6202J000	MKK600-D-20.0-03	3x 58.9	20.0	19.2	24.0	23.1	116 x 207	2.1	D
B25674A6202J800	MKK600-D-20.8-03	3x 61.3	20.8	20.0	25.0	24.1	116 x 207	2.1	D
B25674A6252J000	MKK600-D-25.0-03	3x 73.7	25.0	24.1	30.0	28.9	125 x 207	2.4	D
B25674A6282J000	MKK600-D-28.0-03	3x 82.5	28.0	26.9	-	-	136 x 192	2.7	D
B25674A6302J000	MKK600-D-30.0-03	3x 88.4	30.0	28.9	-	-	136 x 207	2.9	D
Rated voltage 690 V AC, delta connection									
B25674A6052J390	MKK690-D-5.3-03	3x 11.8	5.3	4.4	6.4	5.4	75 x 185	0.8	C
B25674A6062J290	MKK690-D-6.2-03	3x 13.8	6.2	5.2	7.4	6.2	75 x 200	0.8	C
B25674A6062J990	MKK690-D-6.9-03	3x 15.4	6.9	5.8	8.3	6.9	75 x 200	0.8	C
B25674A6082J390	MKK690-D-8.3-03	3x 18.5	8.3	6.9	10.0	8.4	75 x 200	0.8	C
B25674A6102J490	MKK690-D-10.4-03	3x 23.2	10.4	8.7	12.5	10.5	75 x 200	0.8	C
B25674A6122J590	MKK690-D-12.5-03	3x 27.9	12.5	10.5	15.0	12.6	85 x 200	1.1	C
B25674A6132J990	MKK690-D-13.9-03	3x 31.0	13.9	11.6	16.7	14.0	85 x 200	1.1	C
B25674A6142J690	MKK690-D-14.6-03	3x 32.5	14.6	12.2	17.5	14.6	100 x 207	1.6	D
B25674A6162J790	MKK690-D-16.7-03	3x 37.2	16.7	14.0	20.0	16.7	100 x 192	1.4	D
B25674A6202J090	MKK690-D-20.0-03	3x 44.6	20.0	16.7	24.0	20.1	100 x 207	1.6	D
B25674A6202J890	MKK690-D-20.8-03	3x 46.3	20.8	17.4	25.0	20.9	100 x 224	1.7	D
B25674A6252J090	MKK690-D-25.0-03	3x 55.7	25.0	20.9	30.0	25.1	116 x 192	1.9	D
B25674A6282J090	MKK690-D-28.0-03	3x 62.4	28.0	23.4	-	-	116 x 207	2.1	D
B25674A6302J090	MKK690-D-30.0-03	3x 66.8	30.0	25.1	-	-	125 x 192	2.3	D

PhaseCap Energy Series



Ordering codes – Resin filled series

Ordering code	Type	Rated capacitance C_R μF	Output & rated current at 50 Hz		Output & rated current at 60 Hz		Dimensions d x h mm	Weight (approx.) kg	Terminal
			kvar	A	kvar	A			
Rated voltage 230 V AC, delta connection									
B25675A2052J030	MKK230-D-5.0-04	3x 100.3	5.0	12.6	6.0	15.1	75 x 218	1.1	A
B25675A2072J530	MKK230-D-7.5-04	3x 150.4	7.5	18.8	9.0	22.6	100 x 192	1.8	B
B25675A2102J030	MKK230-D-10.0-04	3x 200.5	10.0	25.1	12.0	30.1	100 x 224	2.1	B
B25675A2122J530	MKK230-D-12.5-04	3x 250.7	12.5	31.4	15.0	37.7	116 x 207	2.6	B
B25675A2152J030	MKK230-D-15.0-04	3x 300.8	15.0	37.7	-	-	125 x 207	3.0	B
Rated voltage 400 V AC, delta connection									
B25675A4052J000	MKK400-D-5.0-04	3x 33.2	5.0	7.2	6.0	8.7	75 x 164	0.9	A
B25675A4062J300	MKK400-D-6.3-04	3x 41.8	6.3	9.1	7.6	11.0	75 x 164	0.9	A
B25675A4072J500	MKK400-D-7.5-04	3x 49.7	7.5	10.8	9.0	13.0	75 x 200	1.1	A
B25675A4082J300	MKK400-D-8.3-04	3x 55.0	8.3	12.0	10.0	14.4	75 x 200	1.1	A
B25675A4102J400	MKK400-D-10.4-04	3x 69.0	10.4	15.0	12.5	18.0	75 x 218	1.1	A
B25675A4122J500	MKK400-D-12.5-04	3x 82.9	12.5	18.0	15.0	21.7	85 x 200	1.3	A
B25675A4152J000	MKK400-D-15.0-04	3x 99.5	15.0	21.7	18.0	26.0	85 x 218	1.5	A
B25675A4162J700	MKK400-D-16.7-04	3x 110.7	16.7	24.1	20.0	28.9	100 x 207	1.9	B
B25675A4202J000	MKK400-D-20.0-04	3x 132.6	20.0	28.9	24.0	34.6	100 x 224	2.1	B
B25675A4252J000	MKK400-D-25.0-04	3x 165.8	25.0	36.1	30.0	43.3	116 x 192	2.4	B
B25675A4282J100	MKK400-D-28.1-04	3x 186.3	28.1	40.6	-	-	125 x 192	2.8	B
B25675A4302J000	MKK400-D-30.0-04	3x 198.9	30.0	43.3	-	-	116 x 224	2.8	B
B25675A4332J000	MKK400-D-33.0-04	3x 218.8	33.0	47.6	-	-	125 x 207	3.0	B
Rated voltage 415 V AC, delta connection									
B25675A4052J015	MKK415-D-5.0-04	3x 30.8	5.0	7.0	6.0	8.3	75 x 164	0.9	A
B25675A4062J315	MKK415-D-6.3-04	3x 38.8	6.3	8.8	7.6	10.6	75 x 164	0.9	A
B25675A4072J515	MKK415-D-7.5-04	3x 46.2	7.5	10.4	9.0	12.5	75 x 200	1.1	A
B25675A4082J315	MKK415-D-8.3-04	3x 51.1	8.3	11.5	10.0	13.9	75 x 200	1.1	A
B25675A4102J415	MKK415-D-10.4-04	3x 64.1	10.4	14.5	12.5	17.4	75 x 200	1.1	A
B25675A4122J515	MKK415-D-12.5-04	3x 77.0	12.5	17.4	15.0	20.9	85 x 200	1.3	A
B25675A4152J015	MKK415-D-15.0-04	3x 92.4	15.0	20.9	18.0	25.0	85 x 200	1.3	A
B25675A4162J715	MKK415-D-16.7-04	3x 102.9	16.7	23.2	20.0	27.8	100 x 207	1.9	B
B25675A4202J015	MKK415-D-20.0-04	3x 123.2	20.0	27.8	24.0	33.4	100 x 207	1.9	B
B25675A4252J015	MKK415-D-25.0-04	3x 154.0	25.0	34.8	30.0	41.7	116 x 192	2.4	B
B25675A4282J115	MKK415-D-28.1-04	3x 173.1	28.1	39.1	-	-	116 x 207	2.6	B
B25675A4302J015	MKK415-D-30.0-04	3x 184.8	30.0	41.7	-	-	116 x 207	2.6	B
B25675A4332J015	MKK415-D-33.0-04	3x 203.3	33.0	45.9	-	-	116 x 224	2.8	B
Rated voltage 440 V AC, delta connection									
B25675A4052J040	MKK440-D-5.0-04	3x 27.4	5.0	6.6	6.0	7.9	75 x 164	0.9	A
B25675A4062J040	MKK440-D-6.0-04	3x 32.9	6.0	7.9	7.2	9.4	75 x 164	0.9	A
B25675A4062J340	MKK440-D-6.3-04	3x 34.5	6.3	8.3	7.6	10.0	75 x 164	0.9	A
B25675A4072J040	MKK440-D-7.0-04	3x 38.4	7.0	9.2	8.4	11.0	75 x 200	1.1	A
B25675A4072J540	MKK440-D-7.5-04	3x 41.1	7.5	9.8	9.0	11.8	75 x 200	1.1	A
B25675A4082J040	MKK440-D-8.0-04	3x 43.8	8.0	10.5	9.6	12.6	75 x 200	1.1	A
B25675A4082J340	MKK440-D-8.3-04	3x 45.5	8.3	10.9	10.0	13.1	75 x 200	1.1	A
B25675A4092J040	MKK440-D-9.0-04	3x 49.3	9.0	11.8	10.8	14.2	75 x 200	1.1	A
B25675A4102J040	MKK440-D-10.0-04	3x 54.8	10.0	13.1	12.0	15.7	75 x 200	1.1	A
B25675A4102J440	MKK440-D-10.4-04	3x 57.0	10.4	13.6	12.5	16.4	85 x 200	1.3	A
B25675A4122J040	MKK440-D-12.0-04	3x 65.8	12.0	15.7	14.4	18.9	85 x 200	1.3	A
B25675A4122J540	MKK440-D-12.5-04	3x 68.5	12.5	16.4	15.0	19.7	85 x 200	1.3	A
B25675A4142J240	MKK440-D-14.2-04	3x 77.8	14.2	18.6	17.0	22.3	85 x 200	1.3	A
B25675A4152J040	MKK440-D-15.0-04	3x 82.2	15.0	19.7	18.0	23.6	85 x 218	1.5	A

PhaseCap Energy Series



Ordering codes – Resin filled series - continue

Ordering code	Type	Rated capacitance C_R μF	Output & rated current at 50 Hz		Output & rated current at 60 Hz		Dimensions d x h mm	Weight (approx.) kg	Terminal
			kvar	A	kvar	A			
Rated voltage 440 V AC, delta connection - continue									
B25675A4162J740	MKK440-D-16.7-04	3x 91.5	16.7	21.9	20.0	26.2	100 x 207	1.9	B
B25675A4182J840	MKK440-D-18.8-04	3x 103.0	18.8	24.7	22.6	29.7	100 x 207	1.9	B
B25675A4202J040	MKK440-D-20.0-04	3x 109.6	20.0	26.2	24.0	31.5	100 x 207	1.9	B
B25675A4252J040	MKK440-D-25.0-04	3x 137.0	25.0	32.8	30.0	39.4	116 x 192	2.4	B
B25675A4282J140	MKK440-D-28.1-04	3x 154.0	28.1	36.9	-	-	116 x 207	2.6	B
B25675A4302J040	MKK440-D-30.0-04	3x 164.4	30.0	39.4	-	-	125 x 192	2.8	B
B25675A4332J140	MKK440-D-33.1-04	3x 181.4	33.1	43.4	-	-	116 x 224	2.8	B
Rated voltage 480 V AC, delta connection									
B25675A4052J080	MKK480-D-5.0-04	3x 23.0	5.0	6.0	6.0	7.2	75 x 164	0.9	A
B25675A4062J380	MKK480-D-6.3-04	3x 29.0	6.3	7.6	7.6	9.1	75 x 164	0.9	A
B25675A4072J580	MKK480-D-7.5-04	3x 34.5	7.5	9.0	9.0	10.8	75 x 200	1.1	A
B25675A4082J380	MKK480-D-8.3-04	3x 38.2	8.3	10.0	10.0	12.0	75 x 200	1.1	A
B25675A4102J480	MKK480-D-10.4-04	3x 47.9	10.4	12.5	12.5	15.0	75 x 200	1.1	A
B25675A4112J080	MKK480-D-11.0-04	3x 50.7	11.0	13.2	13.2	15.9	85 x 200	1.3	A
B25675A4122J580	MKK480-D-12.5-04	3x 57.6	12.5	15.0	15.0	18.0	85 x 200	1.3	A
B25675A4132J880	MKK480-D-13.8-04	3x 63.5	13.8	16.6	16.6	20.0	85 x 200	1.3	A
B25675A4152J080	MKK480-D-15.0-04	3x 69.1	15.0	18.0	18.0	21.7	100 x 207	1.9	B
B25675A4162J780	MKK480-D-16.7-04	3x 76.9	16.7	20.1	20.0	24.1	100 x 207	1.9	B
B25675A4202J080	MKK480-D-20.0-04	3x 92.1	20.0	24.1	24.0	28.9	100 x 207	1.9	B
B25675A4202J880	MKK480-D-20.8-04	3x 95.8	20.8	25.0	25.0	30.1	116 x 207	2.6	B
B25675A4222J080	MKK480-D-22.0-04	3x 101.3	22.0	26.5	26.4	31.8	116 x 207	2.6	B
B25675A4252J080	MKK480-D-25.0-04	3x 115.1	25.0	30.1	30.0	36.1	116 x 192	2.4	B
B25675A4282J180	MKK480-D-28.1-04	3x 129.4	28.1	33.8	-	-	116 x 207	2.6	B
B25675A4302J080	MKK480-D-30.0-04	3x 138.1	30.0	36.1	-	-	125 x 192	2.8	B
B25675A4312J080	MKK480-D-31.0-04	3x 142.7	31.0	37.3	-	-	125 x 192	2.8	B
B25675A4332J080	MKK480-D-33.0-04	3x 152.0	33.0	39.7	-	-	116 x 224	2.8	B
Rated voltage 525 V AC, delta connection									
B25675A5052J025	MKK525-D-5.0-04	3x 19.2	5.0	5.5	6.0	6.6	75 x 164	0.9	A
B25675A5062J325	MKK525-D-6.3-04	3x 24.2	6.3	6.9	7.6	8.4	75 x 164	0.9	A
B25675A5072J525	MKK525-D-7.5-04	3x 28.9	7.5	8.2	9.0	9.9	75 x 185	1.0	A
B25675A5082J325	MKK525-D-8.3-04	3x 31.9	8.3	9.1	10.0	11.0	75 x 200	1.1	A
B25675A5102J425	MKK525-D-10.4-04	3x 40.0	10.4	11.4	12.5	13.7	85 x 185	1.2	A
B25675A5122J525	MKK525-D-12.5-04	3x 48.1	12.5	13.7	15.0	16.5	85 x 200	1.3	A
B25675A5132J225	MKK525-D-13.2-04	3x 50.8	13.2	14.5	15.8	17.4	85 x 200	1.3	A
B25675A5152J025	MKK525-D-15.0-04	3x 57.7	15.0	16.5	18.0	19.8	85 x 218	1.5	A
B25675A5162J725	MKK525-D-16.7-04	3x 64.3	16.7	18.4	20.0	22.0	100 x 207	1.9	B
B25675A5202J025	MKK525-D-20.0-04	3x 77.0	20.0	22.0	24.0	26.4	100 x 224	2.1	B
B25675A5202J825	MKK525-D-20.8-04	3x 80.1	20.8	22.9	25.0	27.5	100 x 224	2.1	B
B25675A5252J025	MKK525-D-25.0-04	3x 96.2	25.0	27.5	30.0	33.0	116 x 207	2.6	B
B25675A5262J525	MKK525-D-26.5-04	3x 102.0	26.5	29.1	31.8	35.0	116 x 207	2.6	B
B25675A5282J125	MKK525-D-28.1-04	3x 108.2	28.1	30.9	-	-	125 x 192	2.8	B
B25675A5302J025	MKK525-D-30.0-04	3x 115.5	30.0	33.0	-	-	125 x 207	3.0	B
B25675A5332J125	MKK525-D-33.1-04	3x 127.4	33.1	36.4	-	-	136 x 192	3.3	B

PhaseCap Energy Series



Ordering codes – Resin filled series - continue

Ordering code	Type	Rated capacitance C_R μF	Output & rated current at 50 Hz		Output & rated current at 60 Hz		Dimensions d x h mm	Weight (approx.) kg	Terminal
			kvar	A	kvar	A			
Rated voltage 600 V AC, delta connection - continue									
B25675A6052J300	MKK600-D-5.3-04	3x 15.6	5.3	5.1	6.4	6.2	75 x 185	1.0	C
B25675A6062J200	MKK600-D-6.2-04	3x 18.3	6.2	6.0	7.4	7.1	75 x 185	1.0	C
B25675A6062J900	MKK600-D-6.9-04	3x 20.3	6.9	6.6	8.3	8.0	75 x 200	1.1	C
B25675A6082J300	MKK600-D-8.3-04	3x 24.5	8.3	8.0	10.0	9.6	75 x 218	1.1	C
B25675A6102J400	MKK600-D-10.4-04	3x 30.6	10.4	10.0	12.5	12.0	85 x 200	1.3	C
B25675A6122J500	MKK600-D-12.5-04	3x 36.8	12.5	12.0	15.0	14.4	100 x 192	1.8	D
B25675A6132J900	MKK600-D-13.9-04	3x 41.0	13.9	13.4	16.7	16.1	100 x 207	1.9	D
B25675A6142J600	MKK600-D-14.6-04	3x 43.0	14.6	14.0	17.5	16.8	100 x 207	1.9	D
B25675A6162J700	MKK600-D-16.7-04	3x 49.2	16.7	16.1	20.0	19.2	100 x 224	2.1	D
B25675A6202J000	MKK600-D-20.0-04	3x 58.9	20.0	19.2	24.0	23.1	116 x 207	2.6	D
B25675A6202J800	MKK600-D-20.8-04	3x 61.3	20.8	20.0	25.0	24.1	116 x 207	2.6	D
B25675A6252J000	MKK600-D-25.0-04	3x 73.7	25.0	24.1	30.0	28.9	125 x 207	3.0	D
B25675A6282J000	MKK600-D-28.0-04	3x 82.5	28.0	26.9	-	-	136 x 192	3.3	D
B25675A6302J000	MKK600-D-30.0-04	3x 88.4	30.0	28.9	-	-	136 x 207	3.6	D
Rated voltage 690 VAC, delta connection									
B25675A6052J390	MKK690-D-5.3-04	3 x 11.8	5.3	4.4	6.4	5.4	75x185	1.0	C
B25675A6062J290	MKK690-D-6.2-04	3 x 13.8	6.2	5.2	7.4	6.2	75x200	1.1	C
B25675A6062J990	MKK690-D-6.9-04	3 x 15.4	6.9	5.8	8.3	6.9	75x200	1.1	C
B25675A6082J390	MKK690-D-8.3-04	3 x 18.5	8.3	6.9	10.0	8.4	75x200	1.1	C
B25675A6102J490	MKK690-D-10.4-04	3 x 23.2	10.4	8.7	12.5	10.5	75x200	1.1	C
B25675A6122J590	MKK690-D-12.5-04	3 x 27.9	12.5	10.5	15.0	12.6	85x200	1.3	C
B25675A6132J990	MKK690-D-13.9-04	3 x 31.0	13.9	11.6	16.7	14.0	85x200	1.3	C
B25675A6142J690	MKK690-D-14.6-04	3 x 32.5	14.6	12.2	17.5	14.6	100x207	1.9	D
B25675A6162J790	MKK690-D-16.7-04	3 x 37.2	16.7	14.0	20.0	16.7	100x192	1.8	D
B25675A6202J090	MKK690-D-20.0-04	3 x 44.6	20.0	16.7	24.0	20.1	100x207	1.9	D
B25675A6202J890	MKK690-D-20.8-04	3 x 46.3	20.8	17.4	25.0	20.9	100x224	2.1	D
B25675A6252J090	MKK690-D-25.0-04	3 x 55.7	25.0	20.9	30.0	25.1	116x192	2.4	D
B25675A6282J090	MKK690-D-28.0-04	3 x 62.4	28.0	23.4	-	-	116x207	2.6	D
B25675A6302J090	MKK690-D-30.0-04	3 x 66.8	30.0	25.1	-	-	125x192	2.8	D

Display of ordering codes for EPCOS products

The ordering code for one and the same EPCOS product can be represented differently in data sheets, data books, other publications, on the EPCOS website, or in order-related documents such as shipping notes, order confirmations and product labels. **The varying representations of the ordering codes are due to different processes employed and do not affect the specifications of the respective products.** Detailed information can be found on the Internet under www.epcos.com/orderingcodes

Important information: Some parts of this publication contain statements about the suitability of our products for certain areas of application. These statements are based on our knowledge of typical requirements that are often placed on our products. We expressly point out that these statements cannot be regarded as binding statements about the suitability of our products for a particular customer application. It is incumbent on the customer to check and decide whether a product is suitable for use in a particular application. This publication is only a brief product survey which may be changed from time to time. Our products are described in detail in our data sheets. The Important notes (www.epcos.com/ImportantNotes) and the product-specific Cautions and warnings must be observed. All relevant information is available through our sales offices.

© EPCOS AG • A TDK Group Company

Edition 4/2016 • Ordering No. EPC:26052-7600 • Printed in Germany • PB04163.