

Attracting Tomorrow



MKK capacitors

B25750H DCiH series

TDK ELECTRONICS COMPONENTS S.A.U.
Aluminum & Film Capacitors Business Group
Málaga, Spain
November 2020

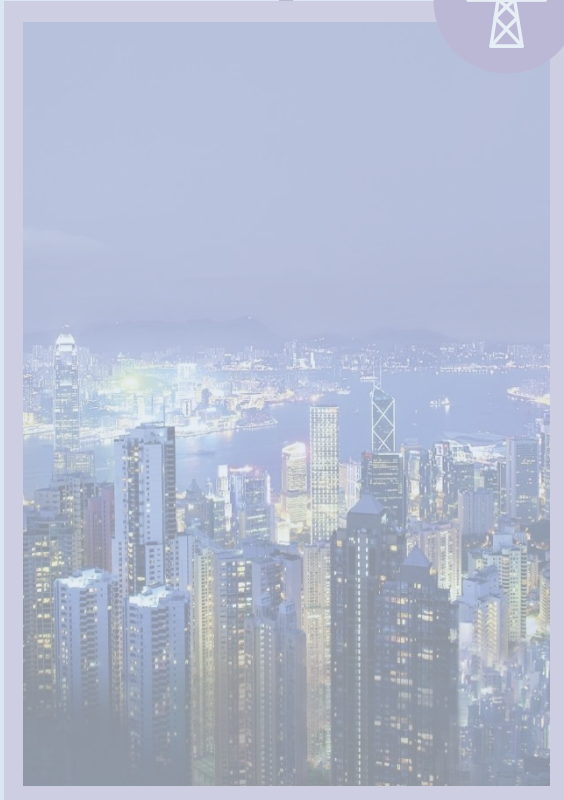


Product portfolio



DC link & DC filter applications

Energy transmission



Renewable energies

Solar



Wind

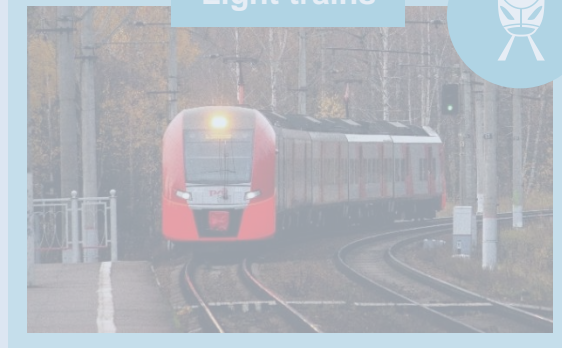


Traction

Loco & EMU



Light trains



Industry

LV



MV



Key figures B25750H series

=

MKK DCi-H (oil)



Recommended applications

Features

- Capacitance range 100 to 24 mF and voltage 900 to 5400 V DC
- Applications with high ripple voltage >400 Vrms
- Temperature range up to 85 °C hotspot
- Impregnation with vegetable (rapeseed) oil
- IEC 61071, IEC 61881-1
- Oil technology
- Stainless steel case
- Flat windings

Benefits

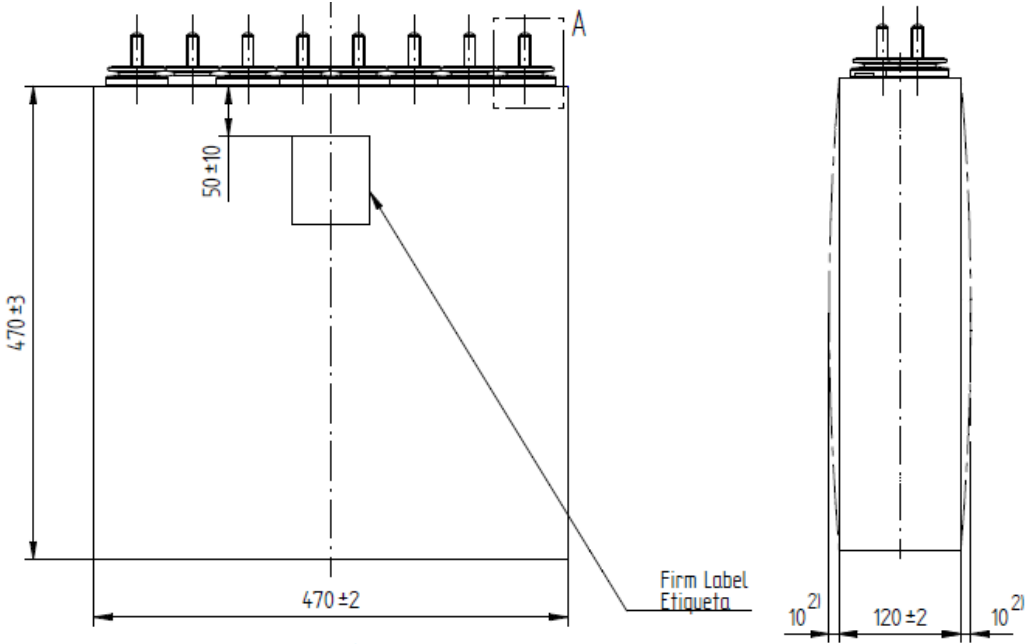
- 100% customized solution
- Hermetically sealed
- Ultra compact solution
- Life time up to 200,000 hours at hotspot temperature +85 °C
- Compatible with pressure switch device
- Design compatible with aggressive environmental conditions
- ANSYS™ simulations available upon request

Get more info [here](#)

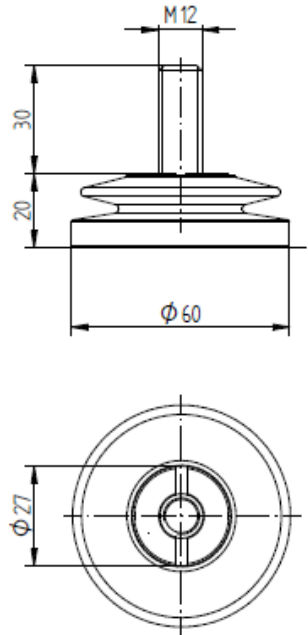
Construction

Simplified drawing: Example A

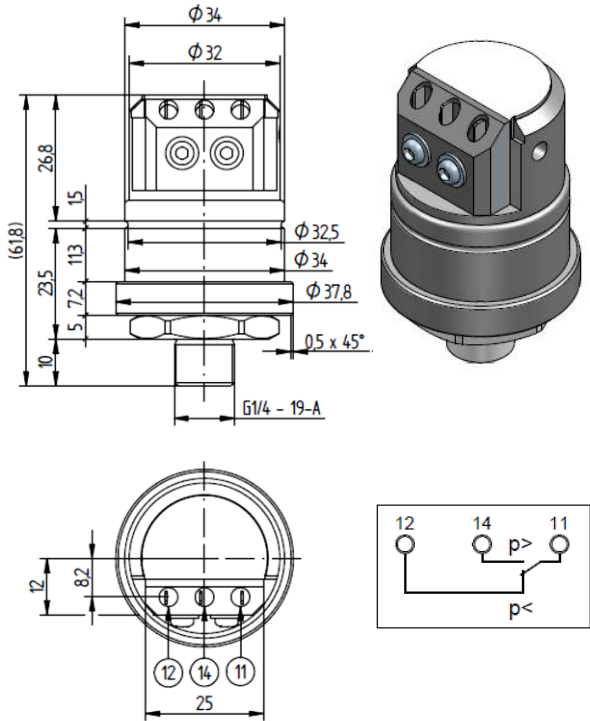
Main dimensions 470 x 120 x 470 mm



Terminal



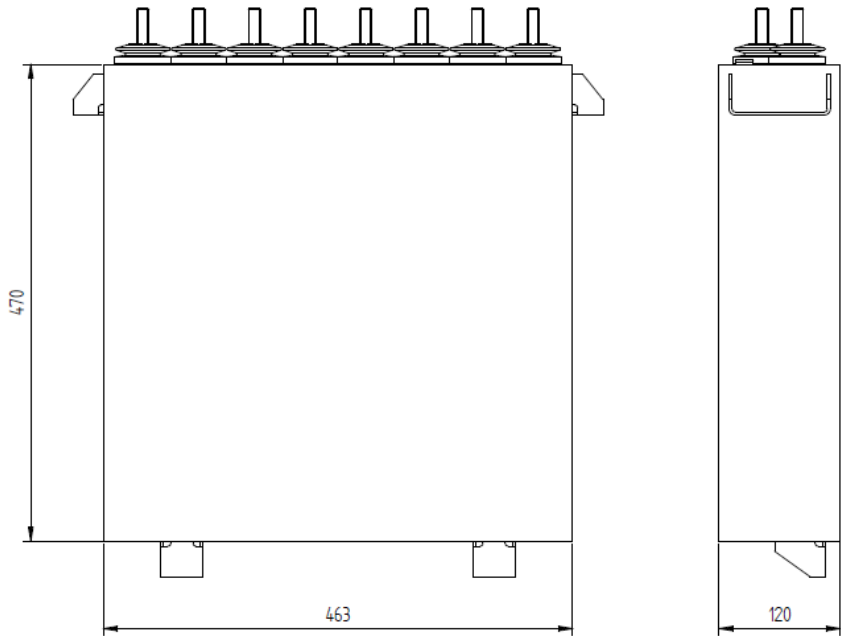
Pressure switch



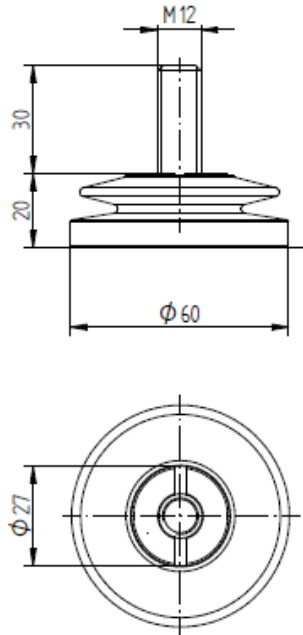
Construction

Simplified drawing: Example B

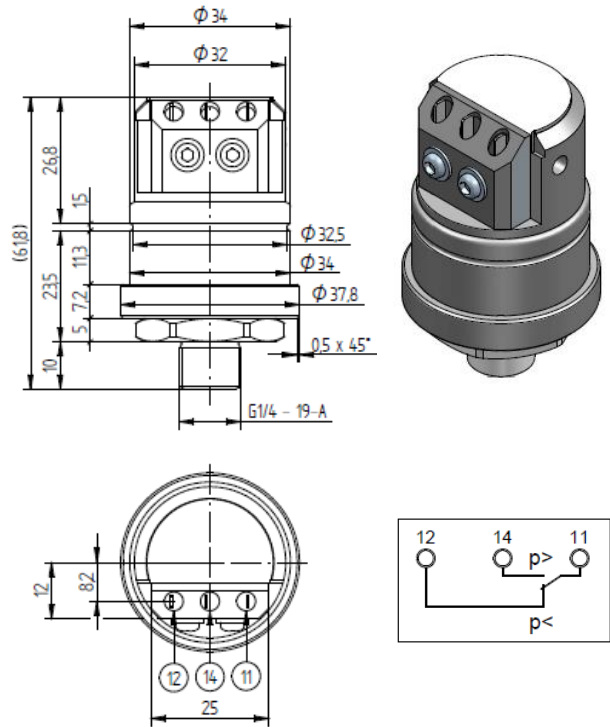
Main dimensions 463 x 120 x 470 mm



Terminal

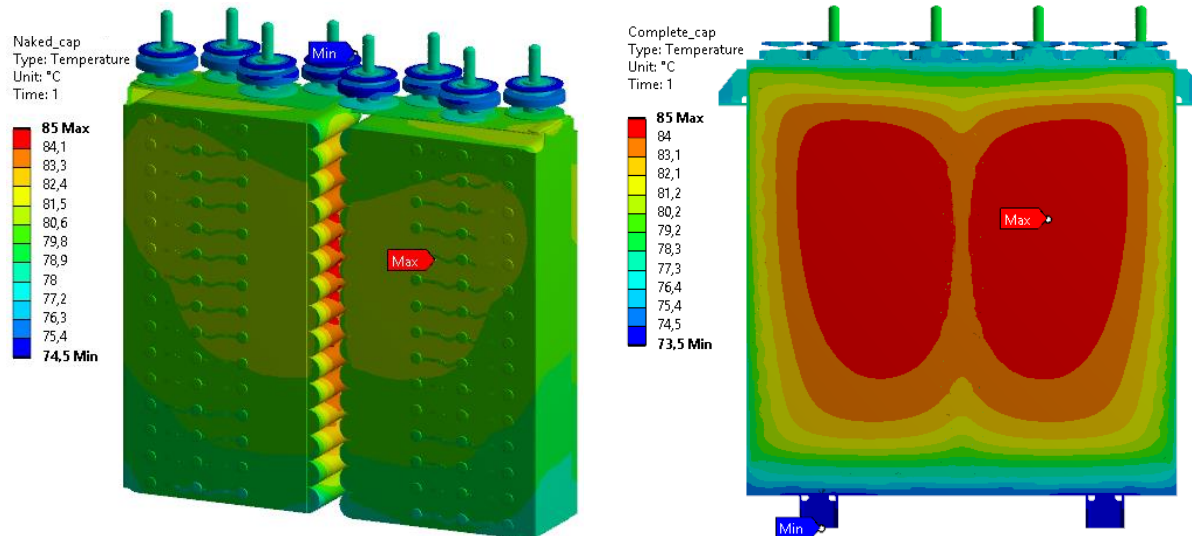


Pressure switch



Thermal & electromagnetic model: Simulation

Thermal: Hotspot and temperature mapping



Thermal model available for specific simulation according to spectrum and boundary conditions defined by the customer.

Electromagnetic

Customer input

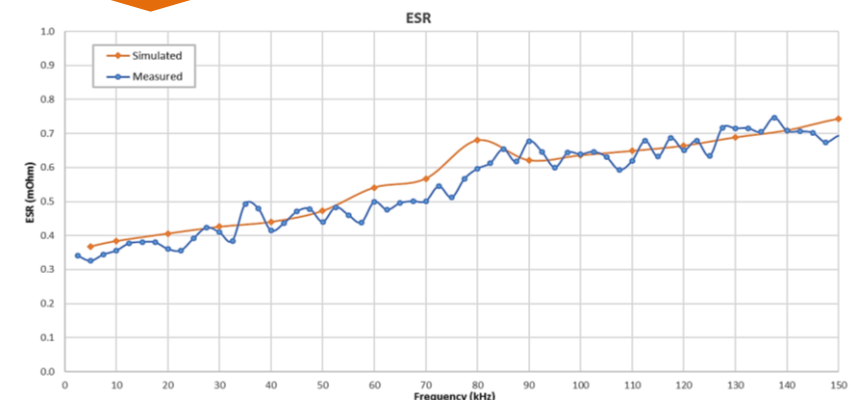
- AC current spectrum
- Boundary conditions

TDK input

- 3D model
- Electrical parameters of the capacitor (capacitor design)

Simulation

- ESR vs freq graph





www.tdk-electronics.tdk.com